

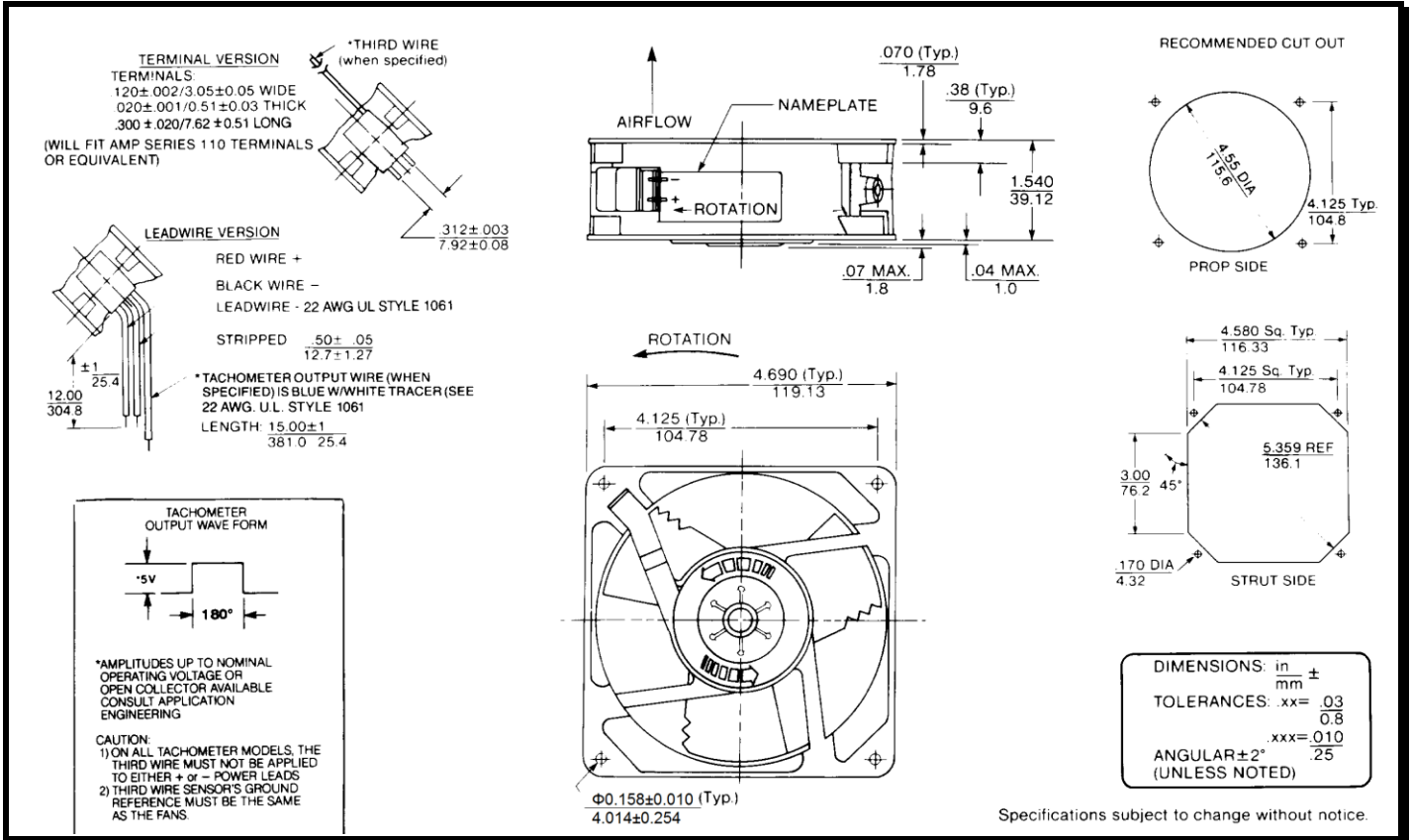
SPECIFICATIONS



Model Number: MD28B5
Part Number: 19032105A

Version: 01
Jan 19, 2018

Mechanical Drawing:



Motor:

Nominal Voltage = 28 vdc
 Operating Voltage Range = 16 – 32 vdc
 Nominal Running Current = 0.230 amps
 Locked Rotor Current = 1.120 amps
 Running Power = 6.5 watts
 Average Speed = 3100 rpm
 Bearings = Ball
 Air Flow = 106 CFM
 Acoust = 50.0dBA

Construction:

Venturi: Die-Cast Aluminum, Black
 Propeller: Plastic, Black, UL 94V-0

Life Expectancy:

This fan is designed for continuous duty life of 55,000 hours at 70°C.

Agency Approvals:

UL, CUL, CE

Additional Features:

Brushless DC Motor
 Automatic Restart Capability
 Locked Rotor Protection
 Polarity Protection
 Operating Temperature -10° C to 70° C
 Storage Temperature: -40°C to 85°C

Tachometer Output:

Output: 5 volt TTL compatible
 Pulse per Revolution: 2
 Isolated: No

Termination:

12" Lead wires, 22 AWG, UL 1061
 Red – Power
 Black – Return
 Blue/White - Tachometer

PQ Curve:

